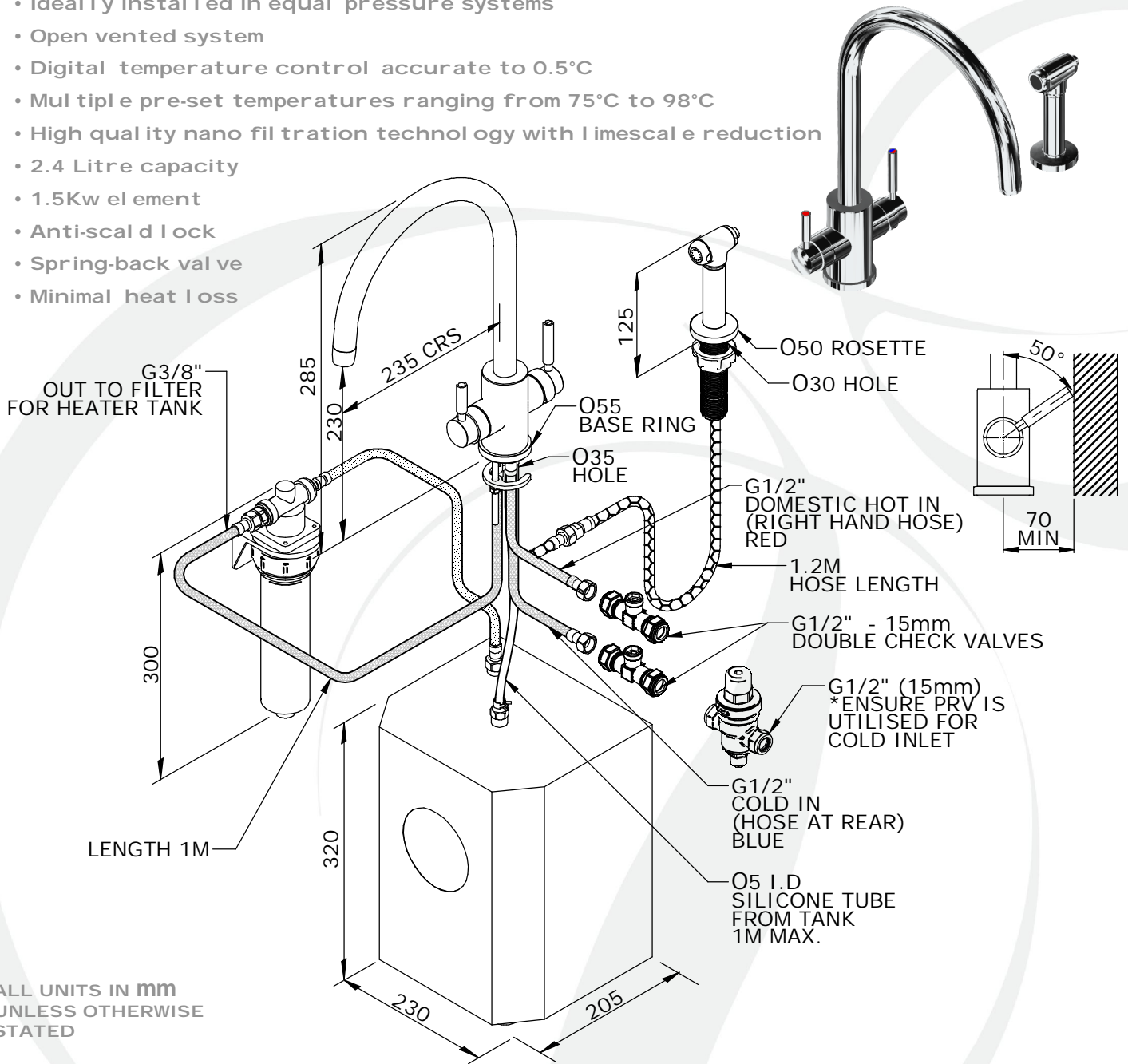


• SPECIFICATION •

• 1712 - PHOENIX (3-in-1) INSTANT HOT SINK MIXER C SPOUT AND RINSE

- Ideally installed in equal pressure systems
- Open vented system
- Digital temperature control accurate to 0.5°C
- Multiple pre-set temperatures ranging from 75°C to 98°C
- High quality nano filtration technology with limescale reduction
- 2.4 Litre capacity
- 1.5Kw element
- Anti-scald lock
- Spring-back valve
- Minimal heat loss



Available Finishes:

- Chrome
- Nickel
- Pewter
- Gold
- English Bronze
- Polished Brass
- Satin Brass
- Aged Brass

Inlet Temp Range:
Min 1°C / 34°F
Max 70°C / 158°F

Recommended Working Pressure:
Min 1.5bar / 22psi
Max 3bar / 43.5psi

Available Options:

- 6.6L/min regulated spout (Prefix AR.)
- U Spout version
- Non-Rinse version
- Matching soap dispenser

Flow Rates:

- 1 Bar: 4.2 L/Min
- 2 Bar: 6.2 L/Min
- 3 Bar: 8.6 L/Min