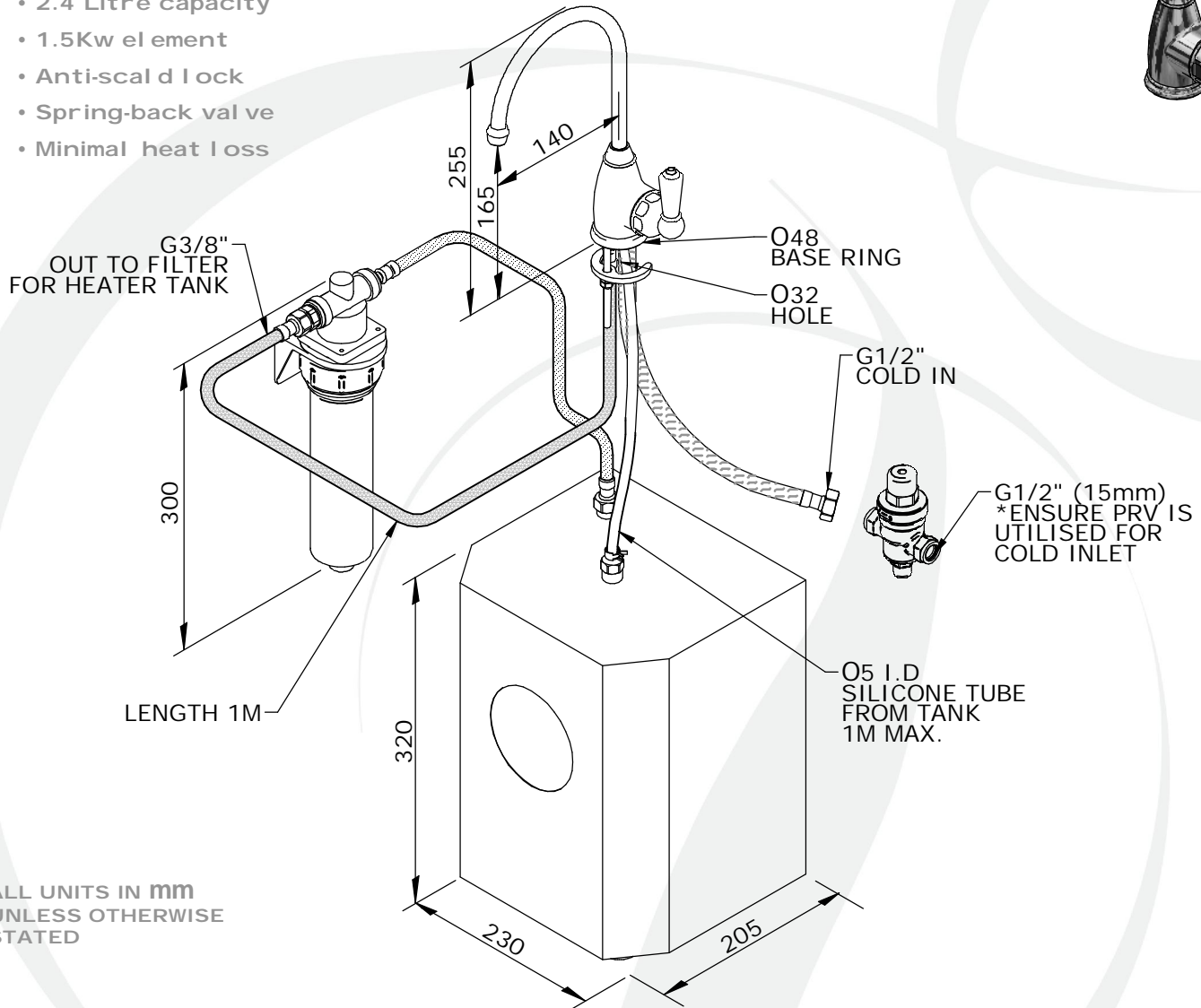


• SPECIFICATION •

• 1307 - PARTHIAN MINI INSTANT HOT WATER DISPENSER

- Supplied with white ceramic lever
- Open vented system
- Digital temperature control accurate to 0.5°C
- Multiple pre-set temperatures ranging from 75°C to 98°C
- High quality nano filtration technology with limescale reduction
- 2.4 Litre capacity
- 1.5Kw element
- Anti-scaled lock
- Spring-back valve
- Minimal heat loss



ALL UNITS IN mm
UNLESS OTHERWISE
STATED

Available Finishes:

- Chrome
- Nickel
- Pewter
- Gold
- English Bronze
- Polished Brass
- Satin Brass
- Aged Brass

Inlet Temp Range:
Min 1°C / 34°F
Max 70°C / 158°F

Recommended
Working Pressure:
Min 1.5bar / 22psi
Max 3bar / 43.5psi

Available Options:

- Plated lever
- Matching soap dispensers